

# Connector, form A, analogue with EN 175301-803 (ISO 4400)

## Housing

Type	one-piece
Color	black
Material	PA6 GF30
Imprint	n/a

## Cable gland

Thread	M16 x 1,5 mm
Cable diameter	6-8, 8-10 mm
Color	black
Material	PA6 GF30
Tightening torque	1,8 ± 0,2 Nm

## Terminal block

Material	PA6 GF30
Poles	2 + PE
Direction of protecting earth	lockable in 90 degree increments in housing
Contact distance	18 mm

## Contacts

Material	CuZn, tin-plated
Resistance	< 15 mOhm
Conductor cross-section	0,5 - 1,5 mm <sup>2</sup>
Tightening torque	0,2 ± 0,1 Nm
Wire protection	without protection element

## Gasket

Material	NBR, black
Type	profile

## Fastening screw

Material	steel 4.8, zinc-plated
Size	M3 x 33,5 mm (with cross recess)
Tightening torque	0,4 ± 0,1 Nm
Sealing washer	n/a

## Circuit

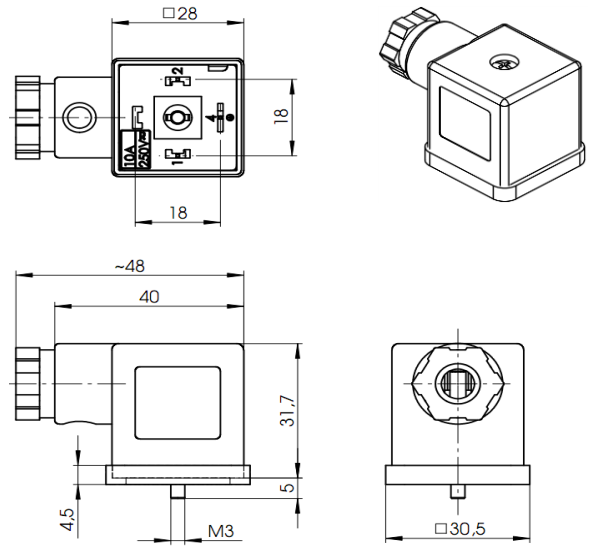
Circuit	n/a
Color of LED	n/a
Protecting element	n/a
Voltage	0 V - 250 V
Current type	AC / DC
Operating current	max. 10 A
Protecting against wrong polarity	yes

## General properties

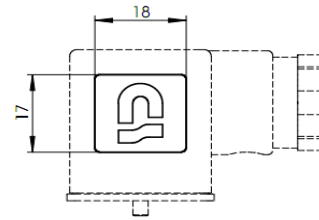
Ambient temperature range	-25°C ... +90°C
RoHS	yes
CSA approval	n/a

## Packaging

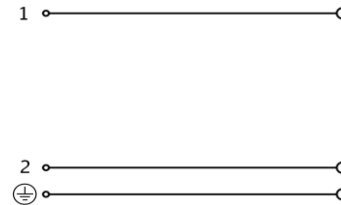
Single packaging. Terminal block and housing are packed as bulk material. Cable gland components are packed loose. Fastening screw is inserted into the plastic bag. Profile gasket is inserted into the plastic bag. The transparent packaging bag is printed with product informations.



## Logo



## Circuit diagram



				Zulässige Abweichung für Maße ohne Toleranzangabe Unless otherwise specified tolerances DIN ISO 2768-v	Format/Size: A4	Maßstab/Scale:	Gewicht/Weight:
				Schutzvermerk beachten Observe protection note ISO 16016	Benennung: Title: <h1>Connector field att. A oS</h1>		
2	28878	2018.11.06	AKO		Ident. - Nr.:	Freigabe-Nr.:	Blatt:
1	25630	2014.09.15	PKR		611-201-1033	24190	1/1
Ind Rev	Änderung-Nr. Change no.	Datum Date	Name By	Ersatz für/Replacement for:			
Geprüft: 2018.11.06 Checked: MANGRA Erstellt: 2013.03.20 Created: MANGRA							